

Patents, Designs, and Trade Marks

SUPPLEMENT

TO THE

NEW ZEALAND GAZETTE

OF

THURSDAY, JULY 28, 1910.

Published by Authority.

WELLINGTON, THURSDAY, JULY 28, 1910.

CONTENTS.

	Page
International and Intercolonial Arrangements for the Mutual Protection of Patents and Trade Marks ..	3025
Applications for Letters Patent filed ..	3026
Complete Specifications filed after Provisionals ..	3027
Complete Specifications accepted ..	3027
Provisional Specifications accepted ..	3031
Letters Patent sealed ..	3031
Letters Patent on which Fees have been paid ..	3031
Subsequent Proprietors of Letters Patent registered ..	3032
Application for Letters Patent opposed ..	3032
Request for Amendment of Specification allowed ..	3032
Applications for Letters Patent abandoned ..	3032
Application for Letters Patent void ..	3032
Applications for Letters Patent lapsed ..	3032
Letters Patent void ..	3032
Application for Issue of Duplicate Letters Patent ..	3032
Designs registered ..	3032
Designs expired ..	3032
Applications for Trade Marks filed ..	3033
Applications for Registration of Trade Marks ..	3033
Trade Marks registered ..	3038
Trade Marks removed from the Register ..	3038

International and Intercolonial Arrangements for the Mutual Protection of Patents and Trade Marks.

INTERNATIONAL CONVENTION.

THE following countries now belong to the Convention :—

Australia.	Italy.
Austria-Hungary.	Japan.
Belgium.	Mexico.
Brazil.	New Zealand.
Ceylon.	Norway.
Cuba.	Portugal, with the Azores and Madeira.
Denmark and Faroe Islands.	Servia.
Dominican Republic.	Spain.
France, with Algeria and Colonies.	Sweden.
Germany.	Switzerland.
Great Britain.	Tunis.
Holland, with East Indian Colonies, Curaçoa, and Surinam.*	United States of America.

* Trade marks only.

Separate arrangements have been made between Australia and New Zealand.

Particulars of the Convention and of such arrangements may be seen in the following *Gazettes* :—

Notification of adhesion of New Zealand to the Convention, with text thereof (in English), in the *Gazette* of 26th November, 1891; notification of adherence of New Zealand to the Additional Act of the Convention, with text (in English) of such Additional Act, in *Patents Supplement to Gazette* No. 101, of the 16th November, 1905; Order in Council applying section 103 of the Imperial Act to New Zealand, in *Gazette* No. 27, of the 15th May, 1890; Orders in Council containing arrangements between Australia and New Zealand, in *Patent Supplements to the Gazette* Nos. 22, of the 9th March, 1905, and 38, of the 20th April, 1905.

Applications for Letters Patent filed.

LIST of applications for Letters Patent filed. (Where a complete specification accompanies an application an asterisk is affixed; in all other cases a provisional specification has been lodged. In all cases where the applicant is not the inventor the name of the latter appears in italics in brackets. † Denotes an application under the International and Intercolonial Arrangements.

Edwards, T., Temuka, N.Z.	Display-card and ticket-holder; 28048; 9th July.
Pullyn, F. N. J., Christchurch, N.Z.	Display-card and ticket-holder; 28048; 9th July.
Craddock, A. R., Christchurch, N.Z.	Cramp, match-lining; 28049; 9th July.
Scott, W., Christchurch, N.Z.	Cramp, match-lining; 28049; 9th July.
Parker, H. H. L., Pakipaki	Manger; 28050; 8th July.
Carron, A., Johannesburg, Trans.	Wood, canvas, &c., treatment; 28051; 11th July.
Johnson, S., Kongahu, N.Z.	Gold-recovery; 28052; 11th July.
Miller, T., Auckland, N.Z. (<i>Benz, F. J. F.</i>)	Steam-engine, &c.*; 28053; 9th July.
McLaurin, J. D., Pohangina, N.Z.	Tank or vat; 28054; 12th July.
McLaurin, A., Marokopa, N.Z.	Tank or vat; 28054; 12th July.
Collier, M. S., Auckland, N.Z.	Match-box; 28055; 12th July.
Little, W., Auckland, N.Z.	Match-box; 28055; 12th July.
Collier, M. S., Auckland, N.Z.	Time-indicator; 28056; 12th July.
Little, W., Auckland, N.Z.	Time-indicator; 28056; 12th July.
Baldwin, E. S., Wellington, N.Z. (<i>Boeckem, F. W. O.</i>)	Gas-manufacture; 28057; 12th July.
Marks, H. S., Melbourne, Vic.	Chaff-cutter feed-gear; 28058; 21st July, 1909.†
Pittler Universal Rotary Machine Syndicate, Limited, London, Eng. (<i>Von Pittler, W.</i>)	Rotary fluid-pressure machine*; 28059; 12th July.
United Shoe Machinery Company, Paterson, U.S.A. (<i>Lund, T.</i>)	Die for sheet cutting; 28060; 12th July.
United Shoe Machinery Company, Paterson, U.S.A. (<i>Lund, T.</i>)	Boot-top lift; 28061; 12th July.
Petherick, P. E., Wellington, N.Z.	Cinematograph; 28062; 12th July.
Shephard, A. R., Wellington, N.Z.	Cinematograph; 28062; 12th July.
Craig, C., Kaiapoi, N.Z.	Safe*; 28063; 12th July.
Griffin, P. J., Wellington	Receptacle; 28064; 12th July.
Eustege, T. P., Wellington	Receptacle; 28064; 12th July.
Finlay, O. A., Auckland, N.Z.	Toaster; 28065; 9th July.
Jones, A. I., Gladstone, N.Z.	Brake, vehicle; 28066; 13th July.
Claydon, G., Radley, N.Z.	Flax-stripper*; 28067; 13th July.
Haworth, R. D., Wellington, N.Z.	Packing-case lining; 28068; 12th July.
Grey, C. D., Avondale, N.Z.	Packing-case lining; 28068; 12th July.
Mead, J., Warkworth, N.Z.	Gas generator, petroleum and carbide*; 28069; 12th July.
Taylor, T., Herbertville, N.Z.	Hurdle; 28070; 14th July.
Renner, H. G., Matawhero, N.Z.	Dredge-bucket cleaner; 28071; 11th July.
Mander, H., Westport, N.Z.	Boot-heel stiffener; 28072; 11th July.
Sander, E. G., Westport, N.Z.	Boot-heel stiffener; 28072; 11th July.
Duggan, W., jun., Dunedin, N.Z.	Grate; 28073; 12th July.
Pinches, W. T. G., Auckland, N.Z. (<i>Pinches, W.</i>)	Building construction; 28074; 13th July.
Berry, H., Hunslet, Eng.	Valve, &c.*; 28075; 13th July.
Mann, G. H., Leeds, Eng.	Valve, &c.*; 28075; 13th July.
McLeod, D., Dunedin, N.Z.	Candlestick; 28076; 14th July.
Fraser, J., Milton, N.Z.	Draught-excluder; 28077; 15th July.
Turbon Patent Fan Company, Limited, Llanelly, Wales. (<i>Bomborn, B.</i>)	Blower or pump*; 28078; 15th July.
Wheway, S. B., Walsall, Eng.	Horse-collar*; 28079; 15th July.
Schulze, H. H. C., Alton, N.Z.	Manure-distributor; 28080; 15th July.
Hutchinson's Scales Company, Limited, Christchurch, N.Z. (<i>Hutchinson, G.</i>)	Scales*; 28081; 15th July.
Morrison, J., Kaukapakapa, N.Z.	Hopper for flour, oatmeal, &c.*; 28082; 15th July.
Callinan, A. J., Melbourne, Vic. (<i>Campbell, H.</i>)	Spinning-top*; 28083; 14th July, 1909.†
Munro, J. A., Melbourne, Vic.	Rope-coupler*; 28084; 5th August, 1909.†
Britton, J., Seville, Vic.	Rope-coupler*; 28084; 5th August, 1909.†
Johnson, W. J., London, Eng.	Sewing-machine; 28085; 15th July.
Johnson, W. J., London, Eng.	Sewing-machine; 28086; 15th July.
Wilderspin, E. A., Wanstead, Eng.	Brazing cast iron*; 28087; 15th July.
Philip, A. V., Auckland, N.Z.	Legging blocking-machine; 28088; 14th July.
Burton, G. L., Christchurch, N.Z.	Acetylene-generator; 28089; 14th July.
Bailie, J., Blenheim, N.Z.	Acetylene-generator; 28090; 14th July.
Colwill, W. J. H., Blenheim, N.Z.	Acetylene-generator; 28090; 14th July.
Holmes, G. G., Pigeon Bay, N.Z.	Dredge bucket or grab; 28091; 15th July.
Mackay, A. G., Awaiti, N.Z.	Marine-engine racing-prevention; 28092; 16th July.
McLean, D. W., Methven, N.Z.	Adding and scoring apparatus*; 28093; 16th July.
Hardie, E. B., Wangaloa, N.Z.	Wire-netting clip-fastener*; 28094; 15th July.
Chapman, C., Dunedin, N.Z.	Door and window ventilator*; 28095; 15th July.
Nicholson, A. C., Dunedin, N.Z.	Candiment-container*; 28096; 15th July.
Bedford, F., Sleaford, Eng.	Catalytic synthesis of methane*; 28097; 21st July, 1909.†
Williams, C. E., Sleaford, Eng.	Catalytic synthesis of methane*; 28097; 21st July, 1909.†
Barnewell, N., 174 Mile, Q.N.R., Queensland	Railway alarm-signal*; 28098; 11th October, 1909.†
Tinline, W., Hastings, N.Z.	Clipping-machine comb, &c., sharpener; 28099; 18th July.
Day, A. J., Christchurch, N.Z.	Boot-polish outfit-holder, &c.*; 28100; 18th July.
Martensen, M. F., Palmerston North, N.Z.	Step-ladder; 28101; 18th July.
Long, A. M., Gisborne, N.Z.	Weed-destroying composition; 28102; 15th July.
Keppel, J. J., Outram, N.Z.	Flax-catcher; 28103; 16th July.
Seifert, H., Palmerston North, N.Z.	Flax-catcher; 28103; 16th July.
Cuddy, A. C. J., Sumner, N.Z.	Pail-lifter; 28104; 18th July.
Jonson, J., Midhurst, N.Z.	Candle-extinguisher; 28105; 19th July.
United Shoe Machinery Company, Paterson, U.S.A.	Thread-waxing device*; 28106; 19th July.
United Shoe Machinery Company, Paterson, U.S.A. (<i>Bertrand, F. E.</i>)	Boot-sole operating-machine; 28107; 19th July.
United Shoe Machinery Company, Paterson, U.S.A. (<i>Perry, F. H.</i>)	Boot-trimming machine; 28108; 19th July.
United Shoe Machinery Company, Paterson, U.S.A. (<i>Eppler, A.</i>)	Shoe-sewing machine; 28109; 19th July.
United Shoe Machinery Company, Paterson, U.S.A. (<i>Winkley, E. E., and Eppler, A.</i>)	Shoe-sewing machine channel-guide; 28110; 19th July.

United Shoe Machinery Company, Paterson, U.S.A. (Meyer, W. C., and Holmes, C. P.)	Sewing-machine tension-device; 28111; 19th July.
United Shoe Machinery Company, Paterson, U.S.A. (Hadaway, J. B.)	Leather-cutting machine; 28112; 19th July.
Standard Earth Auger Company, Incorporated, Chicago, U.S.A.	Auger; 28113; 19th July.
Kent-Johnston, A. G., London, Eng.	Poster-displaying*; 28114; 28th July, 1909.†
Siefert, W., Palmerston North, N.Z.	Flax-catcher; 28115; 19th July.
Foxcroft, C. G., Hastings, N.Z.	Window-lock; 28116; 19th July.
Sander, E. G., Westport, N.Z.	Corrugated iron and spouting; 28117; 18th July.
Mander, H., Westport, N.Z.	Corrugated iron and spouting; 28117; 18th July.
Marks High Speed Reversible Turbine Company, Limited, Auckland, N.Z. (Beamly, H.)	Turbine; 28118; 18th July.
Edwards, A. J., Auckland, N.Z.	Tobacco-cutter; 28119; 19th July.
Droutledge, H., Auckland, N.Z.	Bucket-head; 28120; 19th July.
Massey, G., Sydney, N.S.W.	Sheep-shearing machine; 28121; 21st July.
Crawford, G. R., Kereru, N.Z.	Umbrella; 28122; 21st July.
Clemesha, L., Kereru, N.Z.	Umbrella; 28122; 21st July.
Attenborough, W. A., Melbourne, Vic.	Steering-gear, &c.; 28123; 21st July.
United Shoe Machinery Company, Paterson, U.S.A. (Dow, J. L.)	Sewing-machine tension-device; 28124; 21st July.

Complete Specifications filed after Provisionals.

LIST of complete specifications filed after provisional specifications, from the 9th to the 22nd July, inclusive:—

- No. 26553.—R. B. Williams, branding-appliance.
- No. 26590.—K. M. Stevens, teat-cup release.
- No. 26622.—J. Martin, copper-furnace.
- No. 26702.—G. Gray, setting hand-levers.
- No. 26744.—A. E. Moore, laundry-drainer.
- No. 26762.—A. Eng, milk-agitator.
- No. 26776.—C. Suttie and M. H. Wynyard, tow-saving device.
- No. 26777.—C. Suttie and M. H. Wynyard, flax-machine.
- No. 26806.—J. N. Swalling and K. Murdoch, clothes-peg.
- No. 26978.—L. H. Raw, ramie, &c., grass-treatment.
- No. 27442.—C. W. Seale, pipe union joint.

Notice of Acceptance of Complete Specifications.

Patent Office,
Wellington, 27th July, 1910.

COMPLETE specifications relating to the undermentioned applications for Letters Patent have been accepted, and are open to public inspection at this office. Any person may, at any time within two months from the date of this *Gazette*, give me notice in writing of opposition to the grant of any such patent. Such notice must set forth the particular grounds of objection, and be in duplicate. A fee of 10s. is payable thereon.

The copies of claims and extracts from the specifications and drawings are merely intended to give some further indication of the invention than is disclosed in the title, and the complete specifications and drawings should be referred to for a description of the invention.

No. 25715.—20th March, 1909.—HILARY QUETIER, of Queens Street, Timaru, New Zealand, Engineer. An automatic quality-grader weight-and-tally recorder for weighing-machines and the like.*

Claims.—(1.) In combination with a weighing-machine having an arm by means of which the weight of articles weighed thereon is indicated, means operated by such arm whereby markings may be made upon a tape or sheet in such positions that they will indicate the correct weight, grade, and tally of said articles, substantially as and for the purpose indicated.

[NOTE.—Here follow eight other claims.]

(Specification, 11s. 3d.)

No. 26824.—2nd November, 1909.—SAMUEL GEORGE ELDRIDGE, of Warburton, Victoria, Millwright. The two-pull steam saw.*

Claims.—(1.) The operating of a draw-saw by the use of steam in single-ended cylinders at either end of a saw. (2.) The use of the elevating-arch for crosscutting logs. (3.) The valve-gear. (4.) The method of taking out exhaust steam in front of the steam-port, thereby having the slide-valve to travel with the piston instead of the reverse.

(Specification, 1s. 6d.)

No. 26990.—3rd December, 1909.—ROBERT MCGAFFIN, of Hastings, New Zealand, Contractor and Flax-miller. Conveying and cleaning flax-mill tow.*

Extract from Specification.—The tow on issuing from the delivery of the scutcher is driven by the air-blast from the machine against a number of horizontal superposed strained wires, dust and debris passing between the wires while the tow is carried along them, and delivered where required, by a series of spikes or tines carried by endless chains or belts.

[NOTE.—The above extract from the specification is inserted in place of the claims.]

(Specification, 2s.)

No. 27298.—15th February, 1910.—THOMAS SAVAGE, of Taneatua, New Zealand, Merchant and Engineer. Automatic candle-extinguisher.*

Extract from Specification.—According to this invention the extinguisher is formed of a collar adapted to clamp upon the candle, and a metal plate that is pivotally attached to the collar in such a manner as to be capable of turning in a horizontal plane. This plate is formed with an aperture in it of such a size as to fit over the candle, and with a solid portion of such a size as to cover the clamp. A spring is arranged to act on the plate and to keep its solid portion normally drawn over the clamp.

[NOTE.—The above extract from the specification is inserted in place of the claims.]

(Specification, 3s. 3d.)

No. 27300.—15th February, 1910.—GEORGE GILBERT BELL, of 14 Addison Court Gardens, Kensington, Middlesex, England, Electrical Engineer. Improvements in apparatus for heating water and other liquids or fluids.

Claims.—(1.) Apparatus for heating liquids, fluids, or other media, consisting of a mass of a material capable of storing heat, and provided with an external chamber or with an internal chamber or passage or passages, or both, said chamber or chambers being surrounded by a jacket of heat-insulating material, a heating resistance coil or the like which by the passage of a current of electricity is adapted to heat such mass, and means for causing a transference of such heat to the liquid or other medium to be heated as and when required, substantially as described.

[NOTE.—Here follow nine other claims.]

(Specification, 10s.)

No. 27372.—28th February, 1910.—THOMAS JOHN WATSON, of Onehunga, Auckland, New Zealand, Blacksmith, and JAMES MCINTYRE, of Onehunga aforesaid, Engineer. An improved flexible harrow.*

Extract from Specification.—The harrow is made of a number of pieces of solid metal shaped with three arms each radiating from a common centre, each arm being provided with means of holding a tine which projects from one side with a short length and from the other side with a long length. Connecting-agents, such as rings or chains, connect the triple-arm pieces together by being passed through eyes at the end of each arm, and draught-bars with all necessary connections are provided, as well as rear bars as far as is necessary to keep the harrow as a whole together.

[NOTE.—The above extract from the specification is inserted in place of the claims.]

(Specification, 3s. 6d.)

No. 27630.—29th April, 1909.—GEORGE HAMILTON KNIGHT, of James Street, St. Peter's, South Australia, Draper. An improved combination strap device for parcels and baskets.

[NOTE.—This is an application under section 99 of the Act, the date given being the official date of the application in Australia.]

Claims.—(1.) A combination strap device for parcels and baskets characterized by the construction and arrangement of two straps set at right angles to each other, and arranged upon a rigid strip of wood or metal, substantially as described and illustrated. (2.) A combination strap device for parcels and baskets characterized by the construction and arrangement of two straps set at right angles to each other, and arranged upon a rigid strip of wood or metal, flexible loops, and a rigid handle parallel with the wood or metal strip. (3.) In straps for parcels and baskets, wherein two cross-straps are used in combination with a rigid strip of wood or metal, a rivet for securing the straps at point of intersection.

(Specification, 2s. 9d.)

No. 27743.—16th October, 1909.—JOHN DIXON, Manufacturer, and JOSIAH CHARLES FREDERICK LAWRENCE, Mechanical Engineer, both of 193 High Street, Prahran, Victoria, Australia. An improved aerating-machine.

[NOTE.—This is an application under section 99 of the Act, the date given being the official date of the application in Australia.]

Claims.—(1.) The combination and arrangement of parts constituting the herein-described aerating-machine, the whole being constructed, arranged, and operating substantially as and for the purposes specified. (2.) In an aerating-machine, a glass or other aerating cylinder, chamber, or reservoir having water and gas inlets and outlets, in combination with means for agitating the liquid to be aerated simultaneously with the admission of gas into said aerating-chamber, substantially as and for the purposes specified. (3.) In an aerating-machine, a glass or other aerating cylinder, chamber, or reservoir fitted with a snift leading from the upper portion thereof, and an inlet leading from a reservoir or other water-supply, in combination with means for automatically opening said snift to the atmosphere so as to allow water to enter said aerating-cylinder by gravity, substantially as and for the purposes specified.

[NOTE.—Here follow ten other claims.]

(Specification, 11s.)

No. 27765.—12th October, 1909.—SALO WOHLÉ, Chemist, of 22 Great Russell Street, London W.C., England. Improvements in or relating to petroleum or other hydrocarbon oils.

[NOTE.—This is an application under section 98 of the Act, the date given being the official date of the application in Great Britain.]

Extract from Specification.—The process according to this invention for treating oils of the kind described consists in adding to the oil an alkaline solution containing salines and a saponaceous substance with or without iodine and with or without sulphuric acid. Preferably the salines and iodine are added in the form of a mucilage prepared from seaweed.

[NOTE.—The above extract from the specification is inserted in place of the claims.]

(Specification, 4s.)

No. 27824.—4th June, 1910.—HAROLD IRWIN, of Gwavas, Tikokino, Hawke's Bay, New Zealand, Gardener. Improvements in boxes particularly adapted for hens' nests.

Claims.—(1.) A hen's nest comprising a casing and a slidably mounted marker carried by the casing and adapted to come in contact with the hen upon entrance to or exit from the nest. (2.) A hen's nest comprising a casing and a resiliently mounted marker carried by the said casing. (3.) A hen's nest, a pair of grooved or notched uprights or cleats defining the sides and the entrance to the nest, a holder for chalk or raddle slidably mounted in said grooves or notches, and resilient means for holding the chalk or raddle-holder in operative position.

(Specification, 3s.)

No. 27916.—18th June, 1909.—EMILY CAROLINE WINSTANLEY, of 119 Brunswick Road, East Brunswick, Victoria, Australia, Married Woman (assignee of Alfred Allen Winstanley, of 119 Brunswick Road aforesaid, Produce-merchant). Improved safety mechanical feed-appliance for chaffcutters.

[NOTE.—This is an application under section 99 of the Act, the date given being the official date of the application in Australia.]

Extract from Specification.—Consists partly in the arrangement of an endless travelling feed-apron of webbing or other suitable material in the feed-chute of chaffcutters, and partly of an upper roller or rollers designed to press the hay forward, and also in the arrangement of gear for said apron and presser-rollers. The said endless feed-apron is so assembled and attached to the feed-chute that its upper surface travels over the whole length of said chute at a position about 1 in. or so above its bottom.

[NOTE.—The above extract from the specification is inserted in place of the claims.]

(Specification, 4s.)

No. 27918.—16th June, 1910.—JAMES DEWAR HUNTER, of Moray Place, Dunedin, New Zealand, Engineer and Dairy-plant Manufacturer. Improved pasteurizer, especially for skim-milk, whey, &c.

Extract from Specification.—I form a vessel, preferably of cylindrical shape, which encloses a coil of metal tubing. The material to be pasteurized passes through this coil, which is heated by steam, preferably the exhaust from the engine when such is available. A baffle-plate is so arranged that the steam is deflected on to the coil, and means is arranged for scalding out the said coil with a steam jet for cleaning.

[NOTE.—The above extract from the specification is inserted in place of the claims.]

(Specification, 1s. 9d.)

No. 27920.—17th June, 1910.—HAMILTON MCMURDIE, of 40 High Street, Windsor, Victoria, Australia, Importer (as assignee of Wilhelm Bartholdt Didrick Punninghaus, of 30 Portland Place, South Yarra, Victoria, Australia, Machinery-importer). An improved appliance for feeding boilers.

Claims.—(1.) In improvements in an appliance for feeding boilers, a casing having a steam-inlet valve and a steam-escape valve, a lever actuating said valves, a lever having a hammer thereon operating said valve-actuating lever, a tumbler provided with a counterpoise operating said hammer-lever, a float pivotally connected to said tumbler. (2.) In improvements in an appliance for feeding boilers, a float-rod having adjusting-nuts thereon, a float encircling said rod between said nuts, a tube within said float, a valve at the top of said float and above said tube.

[NOTE.—Here follow six other claims.]

(Specification, 8s.)

No. 27925.—20th June, 1910.—AAGE JENSEN, of Eureka, Humboldt, California, United States of America, Manufacturer of Dairy Machinery. An improved apparatus for use in heating and cooling liquids.

Claims.—(1.) The combination of a suitable receptacle, a cover therefor, a bearing supported by said cover, an outer tube rotatable in said bearing, a stationary discharge-pipe, and means for conducting liquid from said rotatable outer tube to said discharge-pipe, a tortuous conduit within the

receptacle, an inner tube within the outer tube, said outer tube being in communication with one end of said conduit and the inner tube of the other end thereof, a head around the upper end of the inner tube and within the outer tube, a stationary inlet-pipe leading to the upper end of the inner tube, and a stuffing-box around said pipe on said outer tube, substantially as described.

[NOTE.—Here follows one other claim.]

(Specification, 6s. 3d.)

No. 27933.—21st June, 1910.—HERBERT PERCY SANDERSON, of Elston Works, Bedford, Bedfordshire, England, Engineer. Improvements in self-propelled vehicles for transport and tractive purposes.

Claims.—(1.) In a self-propelled vehicle for transport and tractive purposes, the arrangement of the main travelling-wheels and the gearing for driving them on a shaft or frame independent of the chassis or main frame upon which the motor and driving mechanism are mounted, substantially as described. (2.) In a self-propelled vehicle or tractor, the arrangement of the main travelling-wheels upon a dead axle carrying brackets forming guides in connection with which corresponding guide-surfaces on the chassis or main frame are free to move, motion being communicated from mechanism mounted upon the main frame to the gearing carried by the brackets on the dead axle through the medium of universal joints, substantially as described, and illustrated in the drawings.

(Specification, 2s. 6d.)

No. 27934.—21st June, 1910.—HERBERT PERCY SANDERSON, of Elston Works, Bedford, Bedfordshire, England, Engineer. Improvements in or connected with differential gearing for motor vehicles.

Claims.—(1.) In differential driving-mechanism for motor-vehicles, wherein the two main driving-wheels are driven from separate concentric shafts, the provision of means for locking the said shafts, substantially as described. (2.) The combination with differential driving-mechanism for motor-vehicles, of mechanism for locking the two shafts of such mechanism, substantially as described, and illustrated in the drawing.

(Specification, 2s. 6d.)

No. 27937.—21st June, 1910.—BENJAMIN SHAW ROBERTS, of 48 Park Street South, Blakenhall, Wolverhampton, Stafford, England, Engineer, and SAMUEL DORSETT, of 158 Dudley Road, Wolverhampton aforesaid, Engineer. Improvements in driving-mechanism of motor-cycles.

Claims.—(1.) In a motor-cycle, the gear between the motor and a power-transmitting wheel which surrounds the axis of the engine-shaft constructed of a sun-and-planet type.

[NOTE.—Here follow eighteen other claims.]

(Specification, 14s.)

No. 27944.—22nd June, 1910.—ALFRED ERWIN SMITH, of Worcester Street, Christchurch, New Zealand, Engineer. Improved apparatus for securing an emergency wheel to the wheel of a vehicle.

Extract from Specification.—A gripping-apparatus, of which a plurality are employed, is permanently fixed to the rim of the spare wheel, and is caused to clamp upon the rim of the main wheel by an eccentric which draws a pair of gripper-claws together.

[NOTE.—The above extract from the specification is inserted in place of the claims.]

(Specification, 2s. 3d.)

No. 27946.—23rd June, 1910.—EDWIN PHILLIPS, of 264-268 Flinders Street, Melbourne, Victoria, Australia, Patent Attorney and Engineer. Improvements in or relating to variometers for electrical oscillations.

Claims.—(1.) A heavy-current variometer for electrical oscillations, characterized by several partial variometers of equal or approximately equal self-induction being assembled together and connected in series. (2.) A form of the vario-

meter as claimed in claim 1, characterized by its being assembled in such manner that in the position of the greatest self-induction the partial variometers have an inducing action one on another, so that the maximum value is larger than the sum of the self-inductions of the individual partial variometers, whilst in the position of smallest self-induction the partial variometers are so arranged relatively one to another that the total self-induction is approximately equal to the sum of the self-inductions of the partial variometers taken individually.

(Specification, 3s. 9d.)

No. 27947.—23rd June, 1910.—EDWIN PHILLIPS, of 264-268 Flinders Street, Melbourne, Victoria, Australia, Patent Attorney and Engineer. Improvements relating to electric oscillation circuits, particularly adapted for use in wireless telegraphy.

Claims.—(1.) In an electric oscillation circuit, the use of two or more coils which can be put into and out of circuit independently one from another, and one or more of which are arranged to be moved relatively to the other or others in order to enable small adjustments of the self-induction to be made in either direction. (2.) An electric oscillation circuit of the kind described in claim 1, having one coil movably arranged between two coils giving fields in opposite directions.

(Specification, 2s. 9d.)

No. 27955.—22nd June, 1910.—J. P. KARNS TUNNELING-MACHINE COMPANY, a corporation duly organized under the laws of Colorado, with offices at Boulder, Colorado, United States of America (assignees of John Prue Karns, of Johnstown, Pennsylvania, United States of America, Miner). Drilling-machines.

Extract from Specification.—A drilling-head capable of reciprocatory and rotary motion, and designed to continuously drill a bore the full size of the desired tunnel, reciprocatory motion being caused by a suitable shaft from a source of power, and this movement causes a slow step-by-step rotative movement of the cutter-head so that the cutters act continuously on fresh surfaces.

[NOTE.—The above extract from the specification is inserted in place of the claims.]

(Specification, 19s.)

No. 27956.—22nd June, 1910.—J. P. KARNS TUNNELING-MACHINE COMPANY, a corporation duly organized under the laws of Colorado, with offices at Boulder, Colorado, United States of America (assignees of John Prue Karns, of Johnstown, Pennsylvania, United States of America, Miner). Cutter-heads for drilling-machines.

Extract from Specification.—This invention has reference to improvements for cutter-heads for drilling-machines, and is designed to provide a cutter-head for a drilling-machine of the type wherein there is provided a cutter-head spider carrying on the active face numbers of cutter-blades so arranged as to cut or chip the breast of a tunnel by the bodily movement of the cutter-head toward the said breast of the tunnel, and to reach all portions of the breast of the tunnel by the slow rotative movement of the cutter-head while being reciprocated. In accordance with the present invention, the general structure of the cutter-head is improved, and furthermore there are added trimmers designed to smooth or finish the wall of the tunnel, and these trimmers are carried by the cutter-head and are active on the active stroke of said cutter-head.

[NOTE.—The above extract from the specification is inserted in place of the claims.]

(Specification, 10s. 9d.)

No. 27960.—22nd June, 1910.—AGNES EDMOND, of Duke Street, Dunedin, Gentlewoman. Improved brooch pins and catches, to minimize loss.

Extract from Specification.—I prefer to make the pins with slight swellings which would come one each side of the usual catch, and I prefer to make the said catch so that it generally or always binds the pin slightly.

[NOTE.—The above extract from the specification is inserted in place of the claims.]

(Specification, 2s. 3d.)

No. 27969.—23rd June, 1910.—WILLIAM JONES, of Karangahape Road, Auckland, New Zealand, Hotelkeeper, and ROBERT HENRY MOON, of Rose Road, Grey Lynn, near said city, Wicker-worker, and GEORGE WILLIAM MOSELEM, of Mackelvie Street, Grey Lynn aforesaid, Carpenter. An improved means of lifting and lowering curtain-poles and curtain-attachments.

Extract from Specification.—Hanging the pole to two sleeves and attaching them to cords so that thereby the pole carrying the curtains can be lowered down or lifted up at will; the cords are passed through pulleys set in an overhead bracket, while the sleeves run on rods or cords fixed to and between under-brackets and the overhead brackets.

[NOTE.—The above extract from the specification is inserted in place of the claims.]

(Specification, 3s. 9d.)

No. 27975.—25th June, 1910.—PATRICK GLEESON, of "Riverview," Napier, New Zealand, Hawke's Bay, Inventor. Improved boxing for use in ferro-concrete construction.

Extract from Specification.—A bottom and two independent side boards of the mould are arranged within a rectangular bracket having an adjustable bridge through which passes a screw acting upon a pressure-piece which bears upon the top of the side boards and clamps them upon the bottom within the bracket.

[NOTE.—The above extract from the specification is inserted in place of the claims.]

(Specification, 2s. 3d.)

No. 27976.—24th June, 1910.—AMERICAN AUTOMATIC TELEPHONE COMPANY, a corporation of New York, with an office at Rochester, Monroe, New York, and also an office and place of business at Urbana, Champaign, Ohio, United States of America, carrying on business as Manufacturers of Telephone Supplies and Equipment (assignees of Charles Lane Goodrum, of Urbana, Champaign, United States of America, Electrical Engineer). Automatic telephone exchanges.

Claims.—(1.) In an automatic telephone system, a series of subscribers' lines, and a series of switches less than the total number of lines, said subscribers' lines being connected to said switches in multiple and arranged in groups, a starter-wire for each group terminating in a switch normally assigned to said group, and means for extending said starter-wire to the switches of other groups when the switch to which the group is assigned has been operated, as set forth. (2.) In an automatic telephone system, a series of subscribers' lines arranged in groups, a series of switches corresponding in number to the number of line groups, each of said line groups being assigned normally to one of said switches and connected in multiple to the other switches, a starter-wire for each line group connected to one of said switches, and means for extending said starter-wire to the switches of other line groups when the switch to which it is normally connected is operated, as and for the purpose set forth.

[NOTE.—Here follow nine other claims.]

(Specification, 14s. 6d.)

No. 27988.—28th June, 1910.—SOCIÉTÉ ANONYME POUR L'EXPLOITATION DES PROCÉDES WESTINGHOUSE-LEBLANC, Manufacturers, of 45 Rue de l'Arcade, Paris, France (assignees of Otto C. Buss, of 2 Boulevard Sadi-Carnot, Le Havre, France, Engineer). Improvements in air-compressors.

Claims.—(1.) An air-pump of the kind in which the air to be extracted is entrained by jets, streams, or sheets of water or other liquid, and in which the kinetic energy of the liquid is utilized after the same has passed through the main pump-chamber to extract air or other gases from a chamber or chambers in which it is desired to maintain a lower degree or lower degrees of vacua than in the main pump-chamber. (2.) An air-pump of the kind described in which the liquid, after passing through the pump-chamber, is projected through one or more chambers or compartments connected respectively by means of pipes or passages to a point or points in a system of different degrees of vacua, substantially as described. (3.) An air-pump constructed and arranged for operation substantially as described with reference to Figs. 2, 3, 4, or 5 of the drawings.

(Specification, 7s. 6d.)

No. 28007.—30th June, 1910.—THOMAS MITCHELL, of Lonsdale Street, Melbourne, Victoria, Australia, Brush-manufacturer, and FREDRICK JOHN STOREY, of Victoria Street, Brunswick West, Victoria, Australia, Broom-manufacturer. Improvements in brooms, whisks, and the like, and parts thereof.

Extract from Specification.—Over the top of said body is fitted a cap or sheath having an upper neck and also an internal tube, part of which fits inside the cap-neck, while part extends down beyond said neck and meets the said stock, in some cases enclosing a pillar or projection from the top of and integral with the stock. The top part of the tube or ferrule receives the handle lower end, which has a projecting dowel or other screw, the lower part of which is screwed into the stock. Then the handle is further fixed by means of a nut and bolt, split pin, or other suitable device, passing through the cap-neck, the ferrule, and the handle.

[NOTE.—The above extract from the specification is inserted in place of the claims.]

(Specification, 4s. 3d.)

No. 28019.—2nd July, 1910.—FRED BROAD, of Pitt Street, Sydney, New South Wales, Australia, Company-director. Improved garment-hanger.

Extract from Specification.—One of my improvements consists in swivelling the hook 7 by which the hanger is suspended. . . A swivelled suspension-hook, said hook having a head upon its shank, and said shank passing through the coiled ends of the vertical member of the hanger. The employment upon the cross-piece of the vertical member of a tubular sleeve. The employment of the wire swings for suspending a pair of trousers.

[NOTE.—The above extract from the specification is inserted in place of the claims.]

(Specification, 1s. 9d.)

No. 28034.—7th July, 1910.—FRANCESCA SARAH PHILLIPS, of "Glenworth," Darling Street, Balmain, State of New South Wales, in the Commonwealth of Australia, Spinster. Improved portable support for manuscripts, books, sheets of music, and the like.

Extract from Specification.—It consists of a light carrier or holder, which is preferably constructed of crossed wires, and is mounted pivotally upon a vertical standard or post. This post is provided at the foot with a U-shaped spring or grip adapted to readily fasten the apparatus to a block, book, or table-ledge.

[NOTE.—The above extract from the specification is inserted in place of the claims.]

(Specification, 2s. 3d.)

Copies of drawings may be obtained at the uniform price of 1s. each. In exceptional cases this price may be increased at the discretion of the Office.

An asterisk (*) denotes the complete specification of an invention for which a provisional specification has been already lodged.

NOTE.—The cost of copying the specification has been inserted after the notice of each application. An order for a copy or copies should be accompanied by a post-office order or postal note for the cost of copying.

The date of acceptance of each application is given after the number.

Extracts from the drawings accompanying the foregoing complete specifications appear at the end of this Gazette.

J. C. LEWIS,
Registrar.

Provisional Specifications accepted.

Patent Office,
Wellington, 27th July, 1910.

APPLICATIONS for Letters Patent, with provisional specifications, have been accepted as under:—

- No. 27379.—J. Stevens, buckle, &c.
- No. 27788.—J. Macpherson, acetylene, &c., generator.
- No. 27879.—O. Tapp, vacuum pump.
- No. 27902.—E. D. Berry, utilizing exhaust steam.
- No. 27913.—Dominion Pressure Milking-machine Company, Limited, milking-machine. (R. A. Wiggins.)
- No. 27928.—A. E. V. Godfrey, trolley-pole.
- No. 27930.—C. E. Rillstone, pump.
- No. 27952.—H. W. James, milk-aerator, &c.
- No. 27973.—H. Quartier, electric message transmission.
- No. 28008.—W. J. Hay, dredge-bucket cleaner.
- No. 28021.—A. J. Gray and A. E. Missen, teat-cup.
- No. 28024.—W. S. Wilkinson, A. S. Harper, and G. H. Harper, pneumatic padding for horse-collar.
- No. 28025.—H. A. Livingstone, game.
- No. 28026.—W. P. Smith, ticket-holder.
- No. 28027.—T. F. Wallis, securing turnery materials.
- No. 28068.—R. D. Haworth and C. D. Grey, packing-case lining.

[NOTE.—Provisional specifications cannot be inspected, or their contents made known by this office in any way, until the complete specifications in connection therewith have been accepted.]

Letters Patent sealed.

LIST of Letters Patent sealed from the 9th to the 22nd July, 1910, inclusive:—

- No. 25576.—Konomax Rock Drill Syndicate, Limited, valveless engine. (W. Mauss.)
- No. 25580.—J. Chambers and Son, Limited, safety mechanism. (J. Thompson.)
- No. 25619.—A. Edmond, cleaning-instrument.
- No. 25653.—J. Beatty, escriptorio.
- No. 25692.—J. H. and P. Walker and J. A. Brown, tap.
- No. 25700.—R. Bennet, fishing-line reel.
- No. 25711.—S. G. Roseman, fibre-bunching apparatus.
- No. 25713.—S. B. Orr, butter-cooler.
- No. 25727.—W. S. Simpson and H. Oviatt, iron-ore production.
- No. 25728.—W. S. Simpson and H. Oviatt, steel-ore production.
- No. 25733.—Brett Printing and Publishing Company, Limited, printing-machine numbering-mechanism. (J. de B. Galwey and E. Schreier.)
- No. 25782.—G. R. Hislop, fireplace, &c.
- No. 25810.—W. Morris and W. P. Hambleton, water-jacket fire-box.
- No. 25818.—C. Suttie and M. H. Wynyard, flax-dressing machine.
- No. 25887.—United Shoe Machinery Company, heel-building mechanism. (E. A. Tripp and L. H. Shaw.)
- No. 25959.—Hannam's Limited, bath-water heater. (W. H. Hannam.)
- No. 25997.—Massey-Harris Company, Limited, rake and tedder. (L. Melvin-Jones and A. Johnston.)
- No. 26002.—A. Pearse, advertising-device.
- No. 26005.—J. C. Tyrrell and C. P. Jensen, railway-car lock.
- No. 26007.—United Shoe Machinery Company, making dies. (A. Bates.)
- No. 26008.—United Shoe Machinery Company, lasting-machine. (W. A. Bond.)
- No. 26009.—United Shoe Machinery Company, imitation-stitch machine. (A. C. Spencer and L. A. Casgrain.)
- No. 26010.—United Shoe Machinery Company, boot-assembling machine. (K. Engel.)
- No. 26037.—T. Ballinger and Co., acetylene-generator. (A. Fischer.)
- No. 26048.—O. A. Miller Treeing Machine Company, heating tools. (J. Oertly, C. F. Dudley, and J. S. Hansen.)
- No. 26103.—New Zealand Acetylene-gas Lighting Company, Limited, carbide-tray. (H. P. Desmoullins.)
- No. 26119.—United Shoe Machinery Company, heel-attaching machine. (A. Bates.)
- No. 26120.—United Shoe Machinery Company, fastener inserting. (C. D. Foye.)
- No. 26208.—F. Jira, travelling table-filter.
- No. 26368.—W. H. Waters, straightway valve. (Stewarts and Lloyds, Limited—S. Masters.)
- No. 26490.—N. S. McNab and J. S. Link, gas-lamp lighter, &c.
- No. 26549.—W. Mulvena and A. Campbell, wire-strainer.
- No. 26614.—P. Kahlenberg, coal-holder.

- No. 26706.—G. H. Lindstrom, tanning.
- No. 26750.—G. A. Ferguson and A. B. Hay, neektie-holder.
- No. 26763.—V. Benaglia and A. Grimaldi, cinematograph.
- No. 26932.—Massey-Harris Company, Limited, centrifugal separator. (C. McLeod.)
- No. 26933.—Massey-Harris Company, Limited, centrifugal-separator bowl. (C. McLeod.)
- No. 27001.—W. H. Lawrence and R. Kennedy, vacuum pump. (C. B. Dalzell.)
- No. 27002.—C. E. and W. J. Smith, washing-powder.
- No. 27101.—T. Edwards, precipitating precious metals.
- No. 27136.—United Shoe Machinery Company, eyeletting-machine. (L. F. Weber.)
- No. 27146.—W. J. Clifford, rifle-sight.
- No. 27151.—Massey-Harris Company, Limited, bearings. (C. McLeod.)
- No. 27156.—Bell Gas Saver Company, Limited, gas-pressure regulator. (H. M. Caldwell and T. Smith.)
- No. 27228.—Hydrocarbon Converter Company, gas-manufacture. (E. B. Benham.)
- No. 27272.—E. Richardson and J. T. Marshall, engine slide-valve.
- No. 27279.—J. Baningaertner, road vehicle locomotive recorder.
- No. 27301.—J. W. Miller and J. R. McKerihan, butter-cutter.
- No. 27304.—H. H. Gemstone, rail, &c., buffer, and central drawbar.
- No. 27313.—A. H. Sime, churn, &c.
- No. 27340.—J. T. Hunter, steam-generator. (S. J. Ross and H. Schofield.)
- No. 27357.—C. D. Dwight, H. A. Mercer, and F. Baker, deck-chair.
- No. 27366.—T. T. Sabroe, milking-machine pulsator.
- No. 27374.—H. A. Atkinson, A. K. Zimmerman, and O. E. Pound, cot-attachment to bed.
- No. 27375.—E. S. Baldwin, firearm. (C. H. A. F. L. Ross.)
- No. 27376.—E. S. Baldwin, bullet. (C. H. A. E. L. Ross.)
- No. 27405.—A. Warswick, propeller.
- No. 27408.—E. N. Davies, water-meter.
- No. 27410.—R. Kennedy and W. H. Lawrence, milking-machine.
- No. 27411.—J. T. Hunter, advertising-machine. (J. Elliott.)
- No. 27433.—F. Kerby, mill-belt fastener.
- No. 27438.—W. Schmidt and P. Thomsen, steam-superheater.
- No. 27450.—S. T. Gelling, pump.
- No. 27451.—J. Neill, file-making tool.
- No. 27452.—G. Lang and M. McEwan, saucepan.
- No. 27479.—K. Koszegi and E. Szechenyi, cultivator.
- No. 27480.—Mono Service Vessels, Limited, paper-tube manufacture. (E. Z. Taylor.)
- No. 27481.—P. S. U. Pickering and W. A. Voss, fungicide.

Letters Patent on which Fees have been paid.

[NOTE.—The dates are those of the payments.]

SECOND-TERM FEES.

- No. 20990.—M. Moore and T. J. Heskett, iron and steel manufacture. 9th July.
- No. 21420.—J. D. McLaurin, bale-tester. 11th July.
- No. 21467.—J. Grant, disc cultivator. 15th July.
- No. 21470.—D. M. B. H. Cochrane, teapot. 18th July.
- No. 21474.—T. J. Whelan, animal-trap. (H. Lane.) 18th July.
- No. 21478.—A. Williamson, fence-standard. 16th July.
- No. 21516.—R. C. Sticht, sulphide-ore treatment. 21st July.
- No. 21547.—L. Roberts, dress-cutting chart. 12th July.
- No. 21551.—C. B. C. Storey, screening, &c., machine. 16th July.
- No. 21592.—Metal Protection Proprietary, Limited, corrosion and decomposition of metals prevention. (P. E. G. Cumberland.) 19th July.
- No. 21606.—The Mount Lyell Mining and Railway Company, Limited, ore-feeder for blast-furnace. (F. S. Anderson.) 21st July.

THIRD-TERM FEES.

- No. 16595.—D. McKenzie, coiler and spindle for wire-weaving machine. 11th July.
- No. 16687.—G. P. Martin, animal-cover fastening. 21st July.
- No. 17118.—Société Anonyme Metallurgique Procédés de Laval, treating materials. (C. G. P. de Laval.) 12th July.

Subsequent Proprietors of Letters Patent registered.

[NOTE.—The name of the former proprietor is given in brackets; the date is that of registration.]

NO. 17681.—Harold Frith, of Auckland, New Zealand, Indent Agent. Brush or broom. (The Sweepall Broom Company, Limited—S. G. Roseman.) 4th July, 1910.
No. 24657.—The Marks High Speed Reversible Turbine Company, Limited, a company duly incorporated under the Companies Acts of the Dominion of New Zealand, and having its head office at Auckland, New Zealand. Turbine. (J. Marks.) 12th July, 1910.

Application for Letters Patent opposed.

NOTICE of opposition has been filed in the following case:—

No. 27723.—J. E. O'Neill and A. Richardson, candle-extinguisher. Opposed by T. Savage.

Request for Amendment of Specification allowed.

THE request to amend specification No. 27372—T. J. Watson and J. McIntyre, harrow (advertised in Supplement to *New Zealand Gazette* No. 60, of the 16th June, 1910)—has been allowed.

Applications for Letters Patent abandoned.

LIST of applications, with which provisional specifications only have been filed, abandoned (*i.e.*, complete specifications not lodged) from the 9th to the 22nd July, 1910, inclusive:—

No. 26551.—F. and V. J. Roberts, pressure-indicator.
No. 26552.—A. W. Gallichan, sovereign-purse.
No. 26560.—E. Brydges, bedstead.
No. 26569.—G. R. Hutcheson, signalling-lamp.
No. 26570.—G. Nicholls, sewing-machine gear.
No. 26573.—J. Williams, chair.
No. 26575.—L. N. Natrass, shatting-lubricator.
No. 26578.—H. Ashworth, tramcar-signal indicator.
No. 26582.—C. H. Mitchell, gas-engine.
No. 26585.—J. Shaw, pigeon-race timer.
No. 26586.—R. Dunne, J. Blair, and A. J. Park, mitre-cutter.
No. 26588.—F. McLaughlin, push-cart.
No. 26593.—T. A. Wells, G. L. Hooper, and W. J. Monkhouse, rail-cleaner.
No. 26607.—A. W. Halliday, traction engine.
No. 26612.—E. LeRoy, hammock.
No. 26613.—V. R. Johns, tennis-racket.
No. 26619.—J. P. Maloney, box-wiring, &c.
No. 26620.—E. C. Isaac, mail-bag seal.
No. 26621.—M. Arnold, strainer and lid.
No. 26626.—R. A. Waller and N. C. C. Christie, railway staff or tablet.
No. 26629.—C. Craig, tailors' chalk sharpener.
No. 26635.—F. B. K. McArthur, cradle, &c.
No. 26636.—C. H. Whatman, train guard-rail adjuster.
No. 26641.—Yaok Son, ironing-machine.
No. 26642.—P. S. O. Neill, and A. H. Wilson, aeroplane.

Application for Letters Patent void.

APPPLICATION for Letters Patent, with which complete specification has been lodged, void owing to non-acceptance of such complete specification, from the 9th to the 22nd July, 1910, inclusive:—

No. 25616.—B. F. H. Dawson, acetylene-generator.

Applications for Letters Patent lapsed.

APPPLICATIONS for Letters Patent lapsed, owing to Letters Patent not being sealed, from the 9th to the 22nd July, 1910, inclusive:—

No. 25442.—J. Godber, bride-cake ornamentation.
No. 25473.—T. D. Jones and H. Ringstad, advertising-cabinet. (J. R. Henderson.)

Letters Patent void.

LIST of Letters Patent void through non-payment of renewal fees, and through expiry of term of fourteen years, from the 9th to the 22nd July, 1910, inclusive:—

THROUGH NON-PAYMENT OF SECOND-TERM FEES.

No. 20905.—D. McKenzie, chair.
No. 20980.—E. J. Vining and G. D. Weir, railway-wagon moving mechanism.
No. 20982.—D. Anderson, incandescent mantle.
No. 20983.—J. P. Karns Tunnelling-machine Company, tunnelling-machine. (J. P. Karns.)
No. 20993.—G. Robson, lighting and extinguishing street-lamps.
No. 20994.—C. Lorenz, engine-governor.
No. 20999.—A. Smail, teat-cup.
No. 21000.—H. Goodacre, rubber-heel fitting. (J. Robertson and F. Blackburn.)
No. 21003.—A. G. Harvey, horse-bit.
No. 21006.—J. Rusp, wheel.
No. 21007.—W. G. Mein and E. Gaminara, furniture, &c., castor.
No. 21009.—Bifurcated Rivet Company, Limited, rivet. (H. J. Joseelyne.)
No. 21014.—F. W. Bliss, gate-hinge.
No. 21016.—C. J. Walker, boot, &c., manufacture.
No. 21017.—J. and T. R. Christie, boiler. (B. Crawford and H. A. Tattersall.)
No. 21019.—L. Hooker, incandescent mantle.
No. 21023.—A. G. Jackson, cash-register-draw release.

THROUGH NON-PAYMENT OF THIRD-TERM FEES.

No. 16231.—H. W. Blaisdell, material handling.
No. 16233.—The British Westinghouse Electric and Manufacturing Company, Limited, alternating current electrical apparatus. (J. P. Campbell—C. F. Scott.)
No. 16234.—Cooper-Hewitt Electric Company, lamp. (P. C. Hewitt.)
No. 16237.—C. L. Stokes, window-sash.
No. 16257.—F. Wilkinson, fibre, &c., separating.
No. 16258.—Elspass Roller Quartz Mill and Manufacturing Company, pulverizing-mill. (J. H. Elspass.)

THROUGH EXPIRY OF TERM.

No. 8655.—A. G. Perry, hygienic figure-support.
No. 8665.—J. E. Yates, cow.

Application for Issue of Duplicate Letters Patent.

APPPLICATION has been made for the issue of duplicate Letters Patent in the following case (the original deed having been lost):—

No. 23677.—R. M. Smith, junction chamber. (Assigned to R. O. Clark, Limited.)

Designs registered.

DESIGNS have been registered in the following names on the dates mentioned:—

No. 503.—Whitcombe and Tombs, Limited, Wellington, N.Z. Class 5. 7th April, 1910.
No. 530.—H. A. Yeldham, Gentleman, Auckland, N.Z. Class 5. 1st July, 1910.
No. 531.—H. W. Bartram and G. H. Hope, "J. Bartram and Son," Melbourne, Vic., Manufacturers and Importers of Dairy Apparatus and Supplies, &c. Class 3. 7th July, 1910.

Designs expired.

THE copyright in the following designs has expired:—

Nos. 227, 228.—H. A. Nielsen and Son.
No. 229.—A. McLeod.
No. 230.—G. Adcock.
No. 231.—A. J. Hutchinson.
No. 232.—A. Adcroft.
No. 233.—W. H. Brent.
No. 234.—A. Falkner.
No. 235.—Kirkman and Denison.
No. 236.—Sargood, Son, and Ewen.
No. 237.—W. H. Brent.

Applications for Trade Marks filed.

LIST of applications for registration of Trade Marks filed from the 9th to the 22nd July, 1910, inclusive:—

- Nos. 8866 and 8867.—9th July.—A. G. Healing and Co., Christchurch, N.Z. Class 40.
- No. 8868.—11th July.—J. B. Gilberd and Sons, Limited, Wanganui, N.Z. Class 47.
- No. 8869.—12th July.—C. M. Best, Auckland, N.Z. Class 50.
- No. 8870.—12th July.—J. M. Walker and Co., Limited, Manchester, Eng. Class 38.
- No. 8871.—12th July.—J. Watson and Co., Limited, Dundee, Scot. Class 43.
- No. 8872.—12th July.—J. Dewsbury and Son, Walsall, Eng. Class 14.
- No. 8873.—12th July.—M. Hilbert, Hamburg, Ger. Class 44.
- No. 8874.—12th July.—A. Guinness, Son, and Co., Limited, London, Eng., and Dublin, Ireland. Class 43.
- No. 8875.—14th July.—Dingo Medicine Company (R. A. Dutton and E. Dutton), Auckland, N.Z. Class 3.
- No. 8876.—14th July.—Reokitt's (Oversea) Limited, Wellington, N.Z. Class 50.
- No. 8877.—14th July.—Cathie and Sons, Limited, Welton, N.Z. Class 38.
- Nos. 8878 and 8879.—15th July.—J. Ferguson and Co., Glasgow, Scot. Classes 43 and 45.
- Nos. 8880 and 8881.—15th July.—Locke, Blackett, and Co., Limited, Newcastle-on-Tyne, Eng. Class 1.
- No. 8882.—16th July.—George Street Ironmongery Company, Dunedin, N.Z. Class 14.
- No. 8883.—18th July.—Marshall's Proprietary Company, Limited, Dunedin, N.Z. Class 48.
- Nos. 8884, 8885, 8886, 8887, 8888, 8889, 8890, 8891, 8892, 8893.—19th July.—Lever Bros., Limited, Balmain, N.S.W. Classes 47, 48, 50 (6), 50 (10), 47, 48, 50 (6), 50 (10), 48, 48.
- No. 8894.—19th July.—A. Stein and Co., Chicago, U.S.A. Class 38.
- No. 8895.—19th July.—R. I. Clark and Co. (Australasia), Limited, Sydney, N.S.W. Class 1.
- No. 8896.—21st July.—C. A. Edgerton Manufacturing Company, Shirley, U.S.A. Class 38.

Applications for Registration of Trade Marks.

Patent Office,
Wellington, 27th July, 1910.

APPLICATIONS for registration of the following Trade Marks have been received. Notice of opposition to the registration of any of these applications may be lodged at this office within two months of the date of this *Gazette*. Such notice must be in duplicate, and accompanied by a fee of £1.

No. of application: 7977.

Date: 12th May, 1909.

TRADE MARK.



Flügel - Bräu

B

NAME.

AUGUST BLUMENTHAL, of No. 1 Glockengiesserwall, Klosterburg, Hamburg, in the German Empire, Manufacturer.

No. of class: 43.

Description of goods: Fermented liquors and spirits.

No. of application: 7978.

Date: 12th May, 1909.

TRADE MARK.



The essential particulars of this trade mark are the following—the device and the word "Reaper"; and any right to the exclusive use of the added matter is disclaimed.

NAME.

AUGUST BLUMENTHAL, of No. 1 Glockengiesserwall, Klosterburg, Hamburg, in the German Empire, Manufacturer.

No. of class: 43.

Description of goods: Fermented liquors and spirits.

No. of application: 8497.

Date: 18th January, 1910.

TRADE MARK.

SUCHARD

The applicants claim that the above-mentioned trade mark, consisting of the name "Suchard," has been in use by them and their predecessors in business since before the 2nd day of September, 1889.

NAME.

SUCHARD, SOCIÉTÉ ANONYME, being a joint-stock company organized under Swiss law, of Neuchâtel, Switzerland, Chocolate and Cocoa Manufacturers.

No. of class: 42.

Description of goods: Cocoa, chocolate, confectionery, and mixtures of chocolate and milk and cocoa and milk.

No. of application : 8586.
Date : 1st March, 1910.

TRADE MARK.
The word
FERODO.

NAME.
THE HERBERT FROOD COMPANY, LIMITED, of Sovereign Mills, Hayfield Road, Chapel-en-le-Frith, Derbyshire, England, Brake-block Manufacturers.

No. of class : 50.
Description of goods : Brake-blocks included in this class, sold as separate articles; composition for application to brake-shoes, driving and other similar belts, and friction-clutches; and compositions of like nature.

No. of application : 8742.
Date : 17th May, 1910.

TRADE MARK.
The word
EROS.

NAME.
J. HIRSCHORN, of 148-9 Kopenicker Strasse, Berlin S.O., in the German Empire, Manufacturers.

No. of class : 50 (Subclass 10).
Description of goods : Mantles for incandescent burners.

No. of application : 8743.
Date : 17th May, 1910.

TRADE MARK.
The word
EROS.

NAME.
J. HIRSCHORN, of 148-9 Kopenicker Strasse, Berlin S.O., in the German Empire, Manufacturers.

No. of class : 13.
Description of goods : Gas-lamps, gas-lanterns, gas-fittings, brackets, and burners.

No. of application : 8778.
Date : 31st May, 1910.

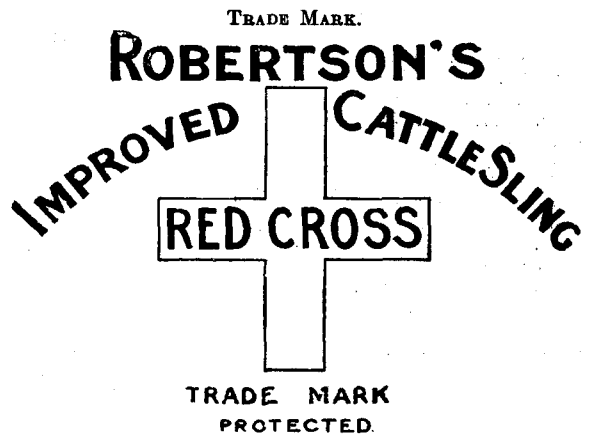


The essential particulars of this trade mark are the device and the word "Target"; and any right to the exclusive use of the added matter is disclaimed.

NAME.
AMERICAN HORTICULTURAL DISTRIBUTING COMPANY, of Martinsburg, W. Va., United States of America.

No. of class : 2.
Description of goods : Fungicides and insect-destroyers.

No. of application : 8791.
Date : 7th June, 1910.



The essential particulars of this trade mark are the device and the words "Red Cross"; and the applicant disclaims any right to the exclusive use of the added matter, except his name.

NAME.
JOHN ROBERTSON, of Inaha, New Zealand, Dairy-farmer.

No. of class : 37.
Description of goods : A sling for cattle.

No. of application : 8822.
Date : 20th June, 1910.



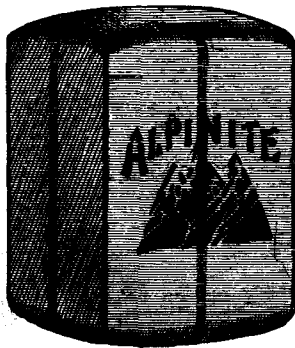
The essential particulars of this trade mark are the distinctive label and the word "Gorgon"; and any right to the exclusive use of the added matter is disclaimed.

NAME.
THE WHITECROSS COMPANY, LIMITED, of Whitecross Works, Milner Street, Warrington, in the County of Lancaster, England, Manufacturers.

No. of class : 5.
Description of goods : Fence and other wires, plain or galvanized or varnished, and metal rods, bars, rails, sheets, and plates.

No. of application : 8831.
Date : 22nd June, 1910.

TRADE MARK.



NAME.

JOHN SANDESSON AND Co., of No. 111 William Street, Melbourne, in the State of Victoria, Australia, Merchants.

No. of class : 17.

Description of goods : Insulating or non-conducting material, principally for packing walls or covering ceilings of buildings, and all other goods included in Class 17.

No. of application : 8848.
Date : 2nd July, 1910.

TRADE MARK.

The word

IMPERVOS.

No claim is made to the word "Impervious."

NAME.

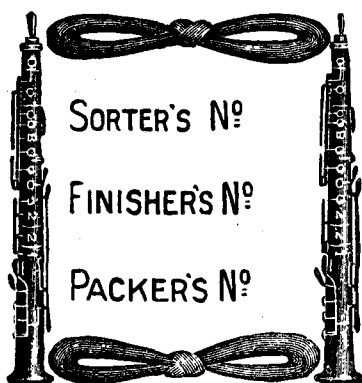
ERNEST NUTTALL AND JOHN FLETCHER, trading as "Impervos Manufacturing Company," of 22 Hill Street, Wellington, in the Dominion of New Zealand, Varnish-makers.

No. of class : 1.

Description of goods : Priming for wood, iron, and walls, being a species of paint.

No. of application : 8852.
Date : 5th July, 1910.

TRADE MARK.



The essential particulars of this trade mark are the distinctive label and the combination of devices; and any right to the exclusive use of the added matter is disclaimed.

NAME.

OLIVE BROS. (LIMITED), of Woolfold Paper Mill, Woolfold, near Bury, Lancashire, England, Paper-manufacturers.

No. of class : 39.

Description of goods : Paper, except paperhangings.

No. of application : 8868.
Date : 11th July, 1910.

TRADE MARK.

The word

RADIANT.

NAME.

J. B. GILBEED AND SONS, LIMITED, of Wanganui, in the Dominion of New Zealand, Soap-manufacturers.

No. of class : 47.

Description of goods : Common soaps.

No. of application : 8869.
Date : 12th July, 1910.

TRADE MARK.



THE "RAVEN" BLACK.

The essential particulars of this trade mark are the device and words "The Raven"; and any right to the exclusive use of the word "Black" is disclaimed.

NAME.

CHARLES MILLER BEST, of Riversdale Road, Avondale, Auckland, in the Dominion of New Zealand, Varnish-manufacturer.

No. of class : 50.

Description of goods : Boot and harness blacking.

No. of application : 8871.

Date : 12th July, 1910.

TRADE MARK.

The words

WATSON'S WHISKY.

The applicant company claim that the said trade mark has been used by them and their predecessors in business in respect of the article mentioned since before the 2nd day of September, 1889.

NAME.

JAMES WATSON AND Co., LIMITED, of 97 Seagate, Dundee, Scotland, Distillers.

No. of class : 43.

Description of goods : Whisky.

No. of application : 8872.

Date : 12th July, 1910.

TRADE MARK.

KANGAROO

NAME.

JOHN DEWSBURY AND SON, of Littleton Street, Walsall, England, Manufacturers.

No. of class : 14.

Description of goods : Bridle-bits, stirrups, spurs, and all kinds of saddlery hardware and harness furniture (all being goods of solid nickel, precious metals, or imitations of precious metals).

No. of application : 8873.

Date : 12th July, 1910.

TRADE MARK.

TE-TO

NAME.

MAX HILBERT, of Paulstrasse 10, Hamburg, Germany, Merchant.

No. of class : 44.

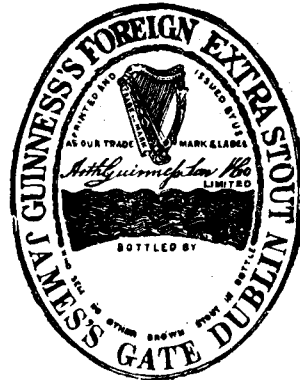
Description of goods : All goods included in this class.

[NOTE.—Class 44 is for "Mineral and aerated waters, natural and artificial, including ginger-beer."]

No. of application : 8874.

Date : 12th July, 1910.

TRADE MARK.



The essential particulars of the trade mark are the combination of devices; and the applicants disclaim any right to the exclusive use of the added matter, except their name and address.

NAME.

ARTHUR GUINNESS, SON, AND Co., LIMITED, of 528 Salisbury House, Finsbury Circus, London, England, and of James's Gate, Dublin, Ireland, Brewers.

No. of class : 43.

Description of goods : Stout.

No. of application : 8876.

Date : 14th July, 1910.

TRADE MARK.



The essential particulars of this trade mark are the design and the words "Rising Sun"; and any right to the exclusive use of any added matter is disclaimed.

NAME.

RECKITTS (OVERSEA), LIMITED, 8 Victoria Street (Post Office box 422), Wellington, in the Dominion of New Zealand, Manufacturers of Starch, Blue, Blacklead, Metal-polish, and Boot-polish.

No. of class : 50.

Description of goods : Boot-polish, blacking for boots and shoes, blacklead, metal-polish, varnish for polishing purposes, polish for stoves, knife-polish, furniture-cream, and other analogous articles in this class.

No. of application : 8878.
Date : 15th July, 1910.

TRADE MARK.



The essential particular of the trade mark is as follows—the distinctive label.

NAME.

JOHN FERGUSON AND Co., of No. 136 Bishop Street, Port Dundas, Glasgow, in North Britain, and also of No. 34 Queen Street, Melbourne, in the State of Victoria and Commonwealth of Australia, Merchants and Indentors.

No. of class : 43.
Description of goods : Wines and spirits.

No. of application : 8879.
Date : 15th July, 1910.

TRADE MARK.



The essential particular of the trade mark is as follows—the distinctive label.

NAME.

JOHN FERGUSON AND Co., of No. 136 Bishop Street, Port Dundas, Glasgow, in North Britain, and also of No. 34 Queen Street, Melbourne, in the State of Victoria and Commonwealth of Australia, Merchants and Indentors.

No. of class : 45.
Description of goods : Tobacco, whether manufactured or unmanufactured.

No. of application : 8884.
Date : 19th July, 1910.

TRADE MARK.



NAME.

LEVER BROS., LIMITED, of Balmain, State of New South Wales, Commonwealth of Australia, Manufacturers.

No. of class : 47.
Description of goods : Common soap, soap-powders, candles, starch, blue, washing-soda, detergents, and oil for illuminating, heating, or lubricating purposes.

No. of application : 8888.
Date : 19th July, 1910.

TRADE MARK.

The word
SWEETHEART.

NAME.

LEVER BROS., LIMITED, of Balmain, State of New South Wales, Commonwealth of Australia, Manufacturers.

No. of class : 47.
Description of goods : Common soap, soap-powders, candles, starch, blue, washing-soda, detergents, and oil for illuminating, heating, or lubricating purposes.

No. of application : 8889.
Date : 19th July, 1910.

TRADE MARK.

The word
SWEETHEART.

NAME.

LEVER BROS., LIMITED, of Balmain, State of New South Wales, Commonwealth of Australia, Manufacturers.

No. of class : 48.
Description of goods : In respect of perfumed soap, perfumery, and glycerine for toilet purposes.

No. of application: 8890.
Date: 19th July, 1910.

The word

TRADE MARK.

SWEETHEART.

NAME.

LEVER BROS., LIMITED, of Balmain, State of New South Wales, Commonwealth of Australia, Manufacturers.

No. of class: 50 (6).

Description of goods: In respect of silversmiths' soap, furniture-cream, polishing compounds, and materials for polishing or cleaning furniture, china, glass, and earthenware.

No. of application: 8891.
Date: 19th July, 1910.

The word

TRADE MARK.

SWEETHEART.

NAME.

LEVER BROS., LIMITED, of Balmain, State of New South Wales, Commonwealth of Australia, Manufacturers.

No. of class: 50 (10).

Description of goods: Silversmiths' soap, and polishing compounds and materials for polishing or cleaning cutlery, metal, buildings, marble, paint, and other substances.

No. of application: 8892.
Date: 19th July, 1910.

TRADE MARK.

MYLADY

NAME.

LEVER BROS., LIMITED, of Balmain, State of New South Wales, Commonwealth of Australia, Manufacturers.

No. of class: 48.

Description of goods: Perfumed soap, perfumery, and glycerine for toilet purposes.

No. of application: 8895.
Date: 19th July, 1910.

The word

TRADE MARK.

ABBEY.

NAME.

ROBT. INGHAM CLARK AND COMPANY (AUSTRALASIA), LIMITED, of 38 Market Street, Sydney, State of New South Wales, in the Commonwealth of Australia, Paint and Varnish Manufacturers.

No. of class: 1.

Description of goods: Paints, varnishes, japans, varnish-stains, enamel-paints, enamels.

No. of application: 8896.
Date: 21st July, 1910.

TRADE MARK.

VIKING

NAME.

THE C. A. EDGARTON MANUFACTURING COMPANY, being a corporation organized under the laws of Massachusetts, and doing business at Leominster Road, Shirley, Massachusetts, United States of America, Manufacturers.

No. of class: 38.

Description of goods: Suspenders and garters.

J. C. LEWIS,
Registrar.

Trade Marks registered.

LIST of Trade Marks registered from the 9th to the 22nd July, 1910, inclusive:—

Nos. 6870/8566, 6871/8567, and 6872/8568.—Foster McClellan Company. Class 3. (*Gazette* No. 41, of the 5th May, 1910.)

No. 6873/8691.—Sargood, Son, and Ewen, Limited. Class 38. (*Gazette* No. 41, of the 5th May, 1910.)

Nos. 6874/8666 and 6875/8667.—Kerr and Co., Limited. Class 23. (*Gazette* No. 41, of the 5th May, 1910.)

No. 6876/8175.—H. S. Dadley. Class 38. (*Gazette* No. 41, of the 5th May, 1910.)

No. 6877/8665.—J. E. Dunand. Class 6. (*Gazette* No. 41, of the 5th May, 1910.)

No. 6878/8637.—I. Rutter and Co. Class 45. (*Gazette* No. 41, of the 5th May, 1910.)

Nos. 6879/8661 and 6880/8662.—Bataafsche Petroleum-Maatschappij. Class 47. (*Gazette* No. 41, of the 5th May, 1910.)

No. 6881/8668.—J. Albert and Son. Class 8. (*Gazette* No. 41, of the 5th May, 1910.)

Nos. 6882/8671 and 6883/8672.—G. Garnett and Sons, Limited. Classes 34 and 38. (*Gazette* No. 41, of the 5th May, 1910.)

No. 6884/8678.—Columbia Phonograph Company (General). Class 8. (*Gazette* No. 41, of the 5th May, 1910.)

No. 6885/8682.—Cerebos Limited. Class 42. (*Gazette* No. 41, of the 5th May, 1910.)

Trade Marks removed from the Register.

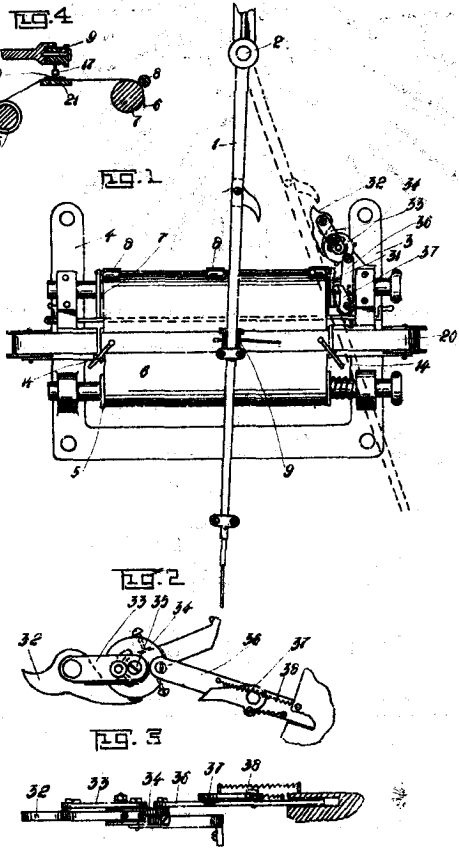
TRADe Marks removed from the Register owing to the non-payment of the renewal fee, from the 9th to the 22nd July, 1910, inclusive:—

Nos. 1673/1350 and 1674/1351.—9th April, 1896.—E. T. B. Worthy, of Hawera, N.Z. Classes 2 and 3.

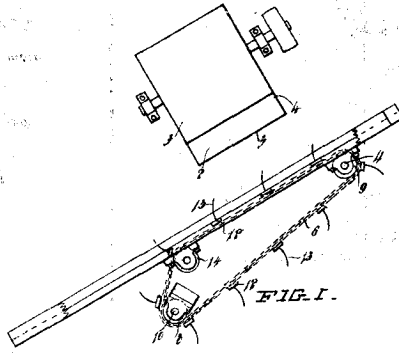
No. 1676/1366.—17th April, 1896.—W. S. Laurie, of Auckland, N.Z. Class 2.

ILLUSTRATIONS OF INVENTIONS.

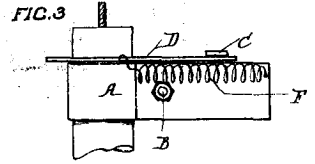
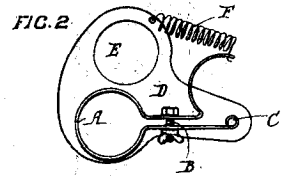
[These illustrations refer to the complete specifications accepted, and advertised in this *Gazette*.]



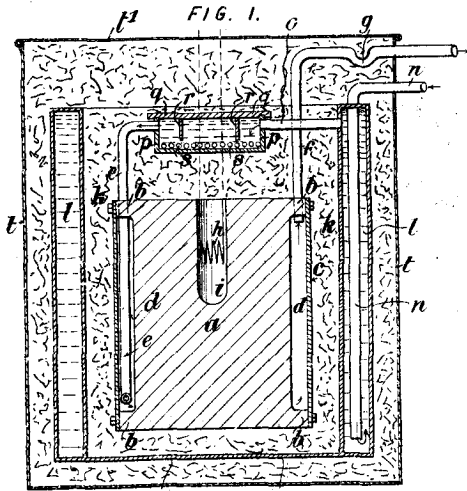
Grader, Weigher, and Recorder. Quertier. 25715.



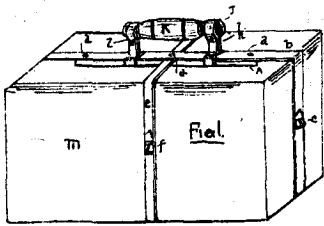
Flax, Tow, &c., Conveyer. McGaffin. 26990.



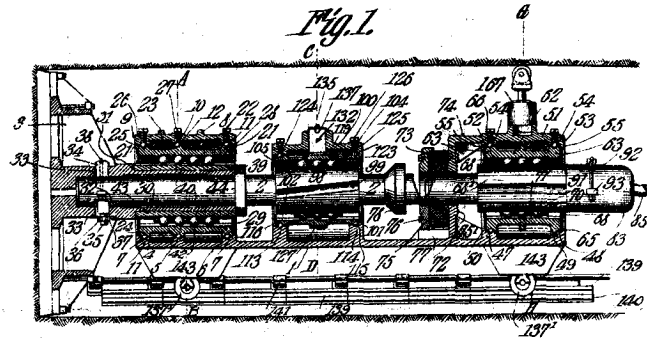
Candle-extinguisher. Savage. 27298.



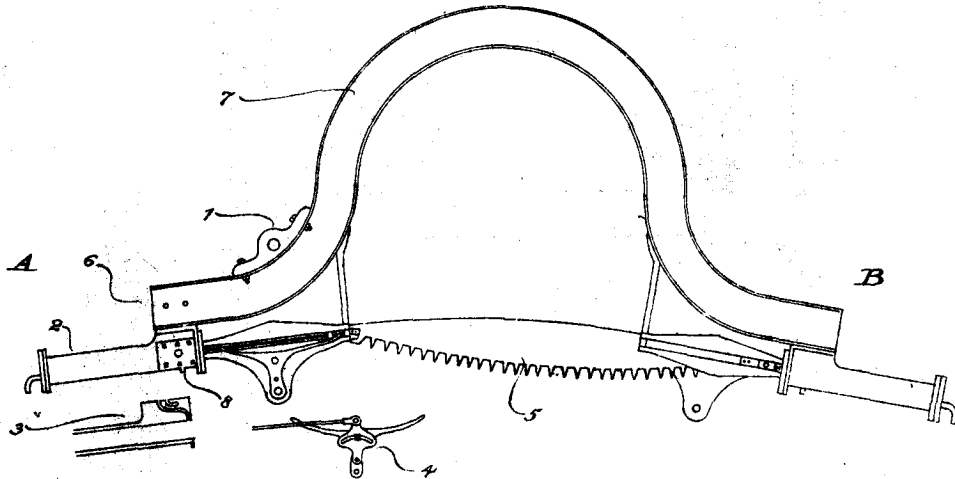
Water-heater. Bell. 27800.



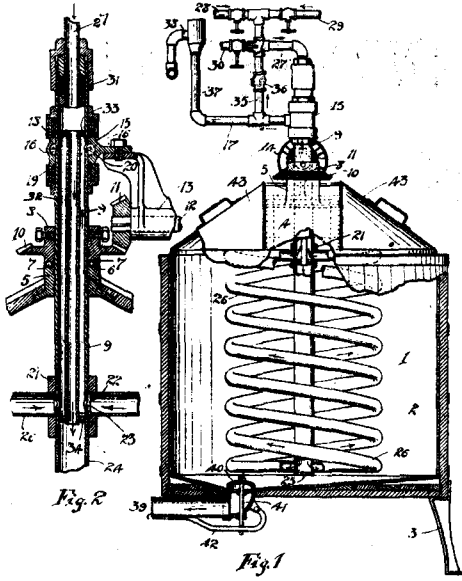
Parcel-strap. Knight. 27680.



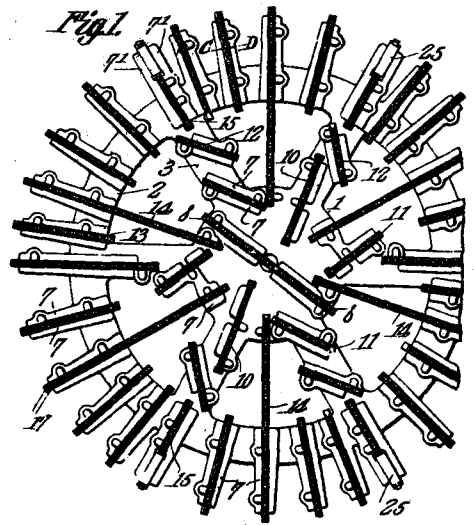
Drilling-machine. The J. P. Karns Tunneling Machine Company. (Karns.) 27955.



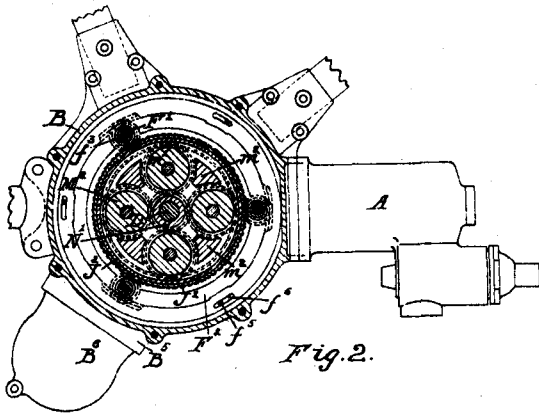
Saw, Steam. Eldridge. 26824.



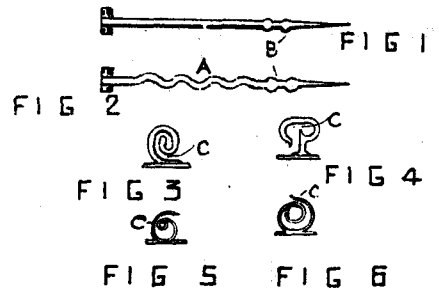
Heater and Cooler. Jensen. 27925.



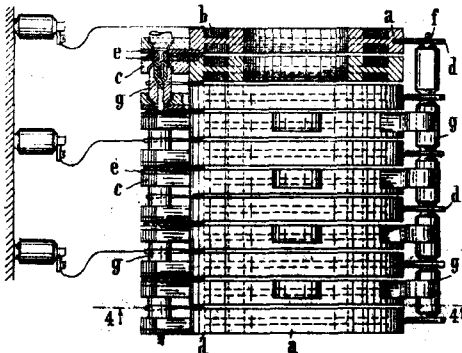
Drilling-machine Cutter-head. The J. P. Karns Tunneling Machine Company. (Karns.) 27956.



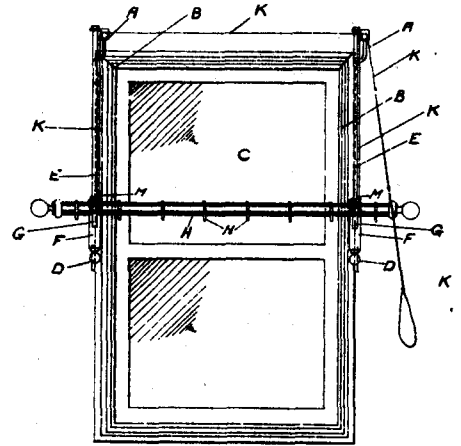
Motor-cycle Driving Mechanism. Roberts and Dorsett. 27937.



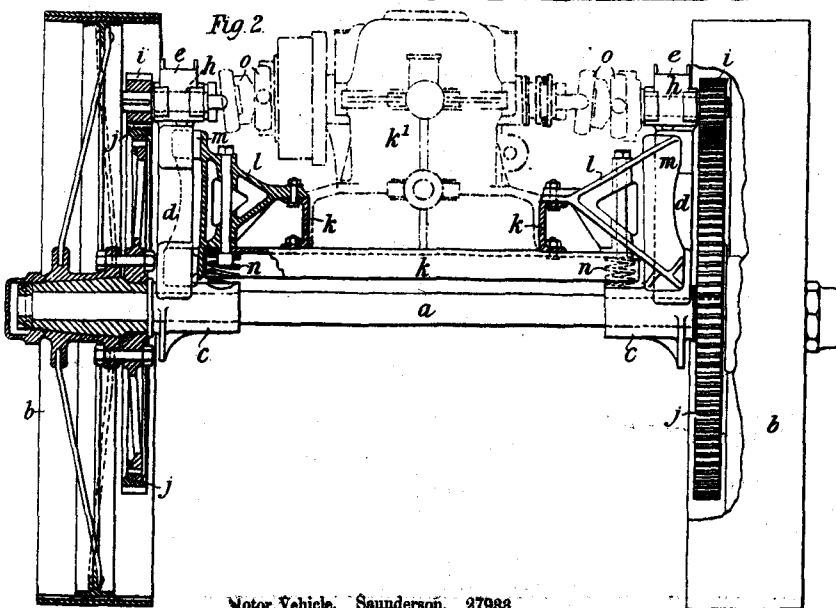
Brooch Pin and Catch. Edmond. 27960.



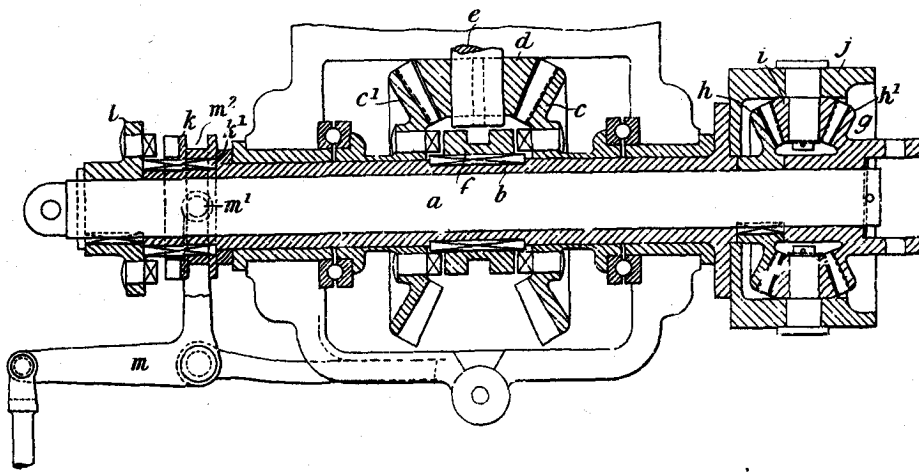
Electrical Oscillation Variometer. Phillips. (Gesellschaft für Drahtlose Telegraphie m.b.H.—Von Arco and Bendahl.) 27946.



Curtain-pole Lifter, &c. Jones, Moon, and Moselem. 27969.

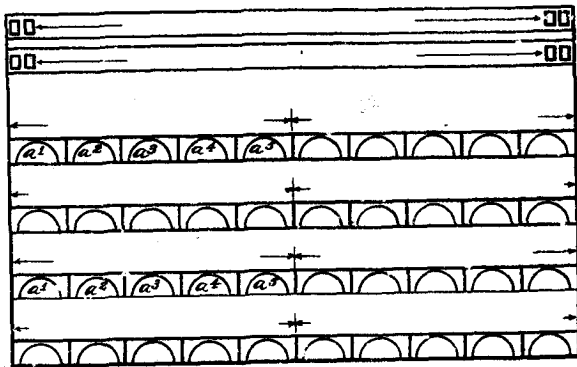


Motor Vehicle. Saunderson. 27983.



Motor Vehicle Differential Gear. Saunderson. 27934.

Fig. 1.



Ferro-concrete Mould. Gleeson. 27975.

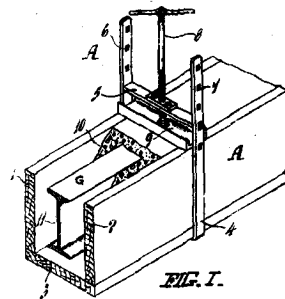
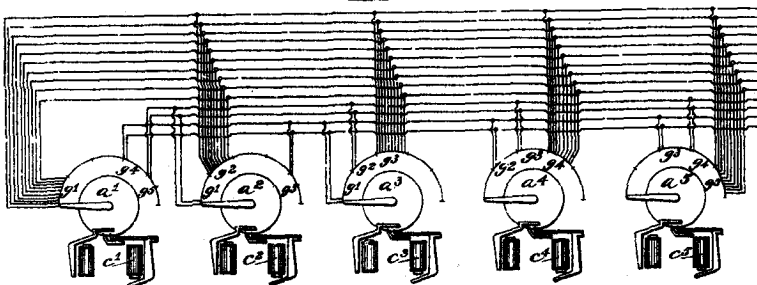
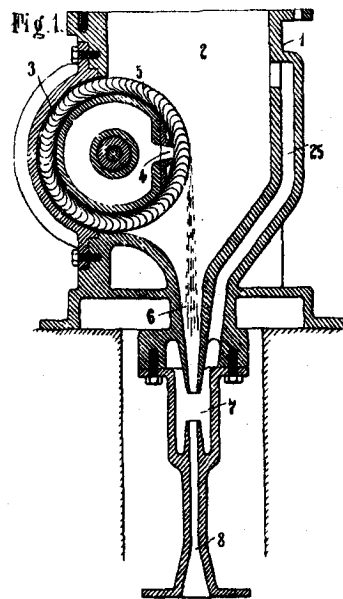


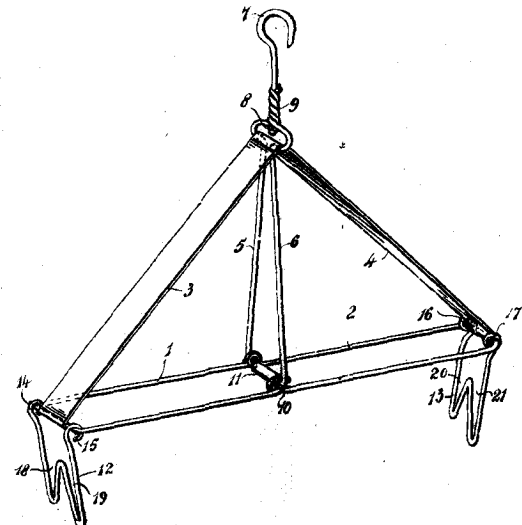
Fig. 2.



Telephone Exchange. American Automatic Telephone Company. (Goodrum.) 27976.



Air-compressor. Société Anonyme pour l'Exploitation des Procédés Westinghouse-Leblanc. (Buss.) 27988.

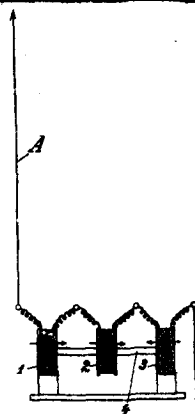


Garment-hanger. Broad. 28019.

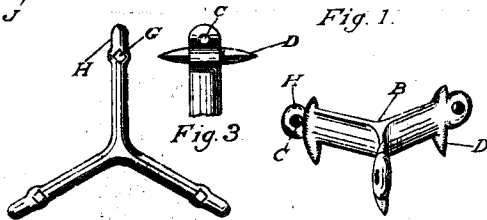
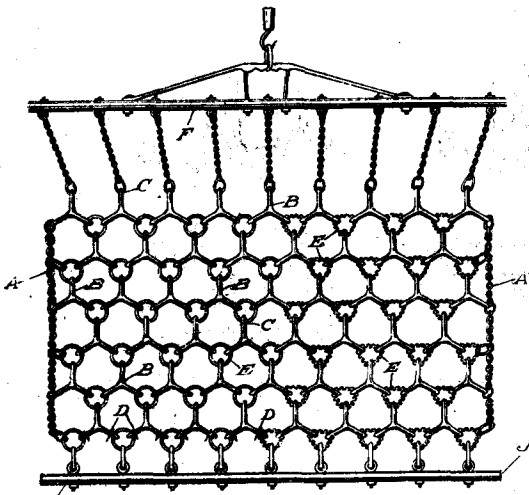
Fig. 2.



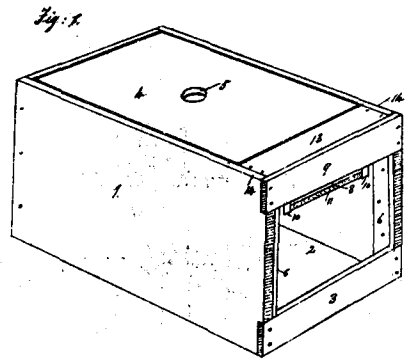
Broom, &c. Mitchell and Storey. 28007.



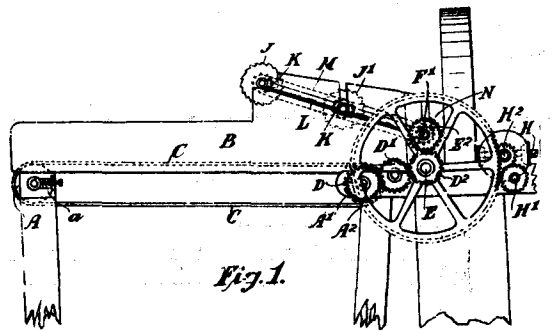
Electrical Oscillation Circuit. Phillips. (Gesellschaft für Drahtlose Telegraphie m.b.H.—von Arco.) 27947.



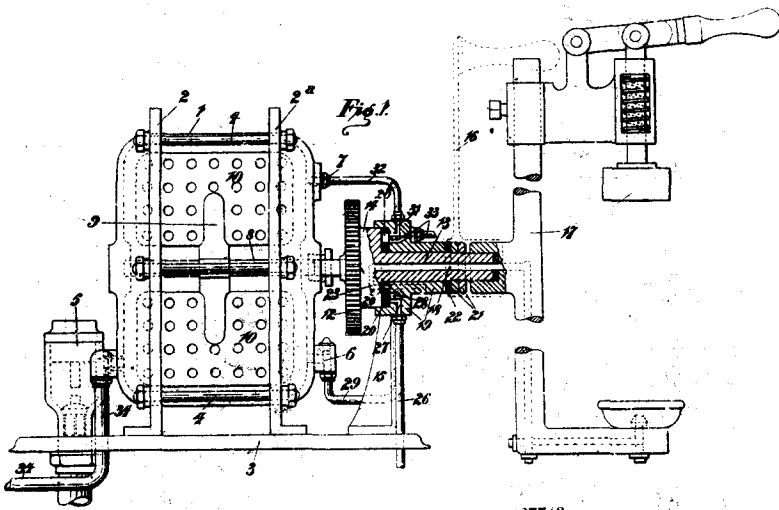
Harrow. Watson and McIntyre. 27872.



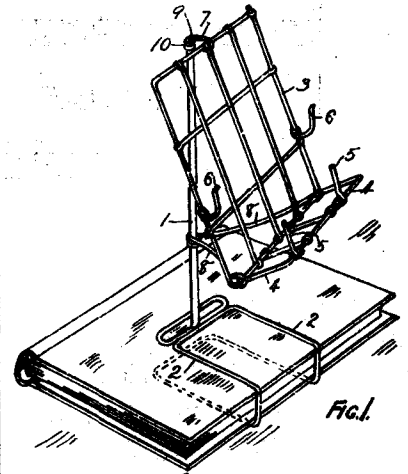
Nest-box. Irwin. 27824.



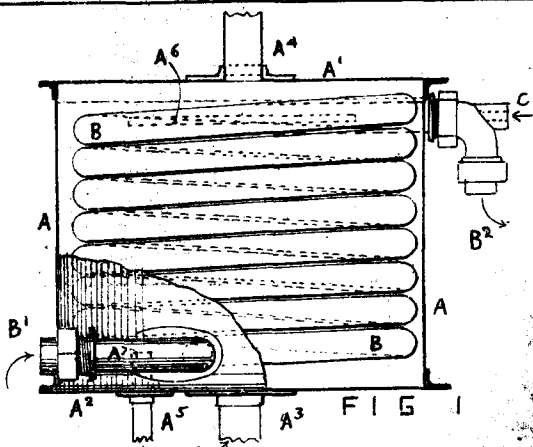
Chaff-cutter Safety-device. Winstanley. 27916.



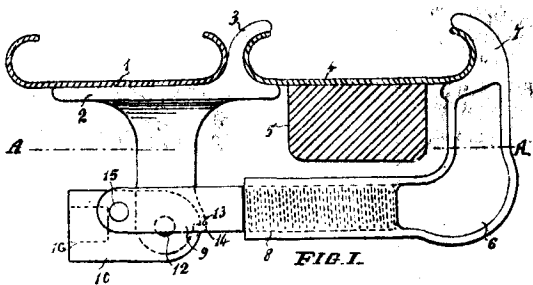
Aerating-machine. Dixon and Lawrence. 27748.



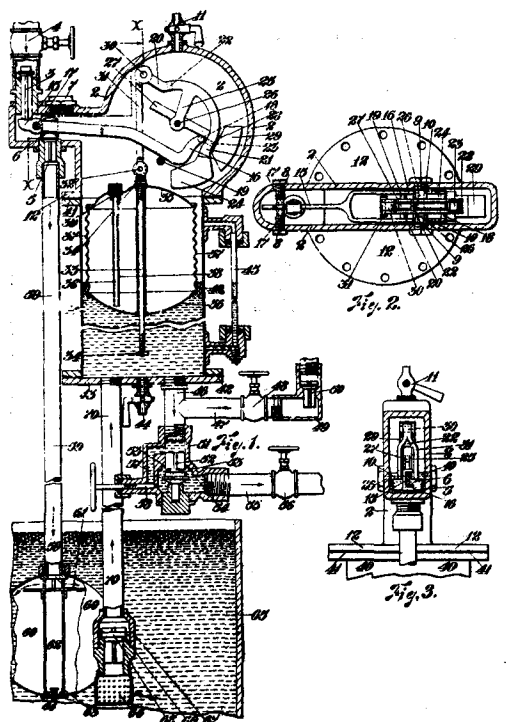
Reading-stand, &c. Phillips. 28094.



Pasteuriser. Hunter. 27918.



Spare Wheel. Smith. 27944.



Boiler-feed. McMurdie. (Ponninghaus.) 27920.